

Product Catalogue

Sofa Series



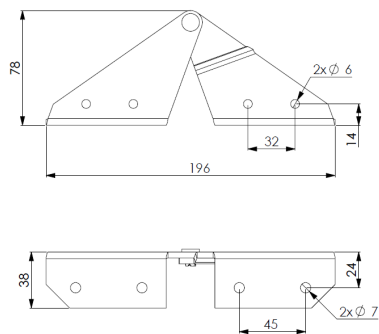
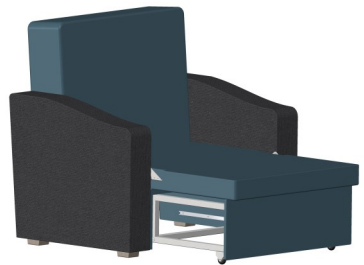
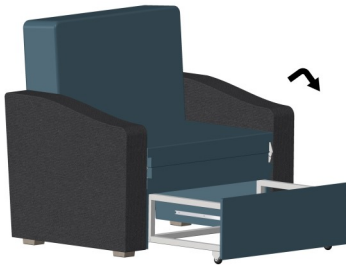
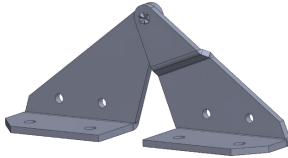
Contents

- Transformer sofa mechanisms
- Space creating mechanisms

Folding Mechanism

Reference Code: MS001

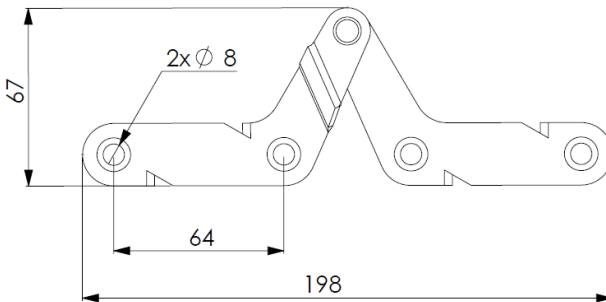
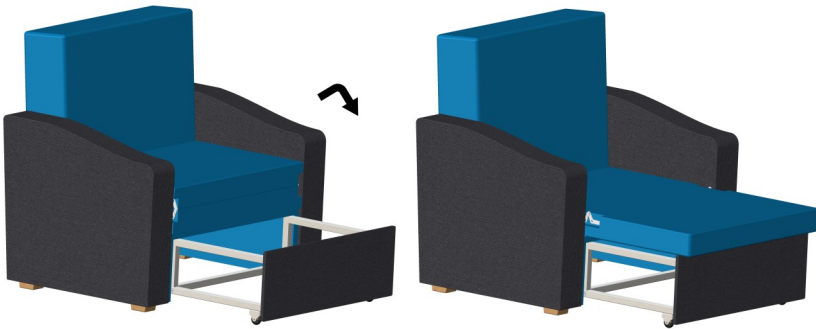
Used with wooden and metal frames operates as a hinge for folding.

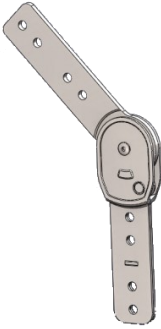


Folding Mechanism

Reference Code: MS002

Used with wooden frame operates as a hinge for folding.

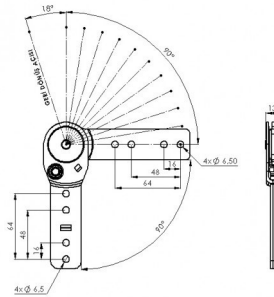




Armrest Mechanism

Reference Code: MS003

Used with wooden and metal frames, as a leveler for armrest section of sofa, different types offer 3, 6, 8, 10 levels with different angle options.

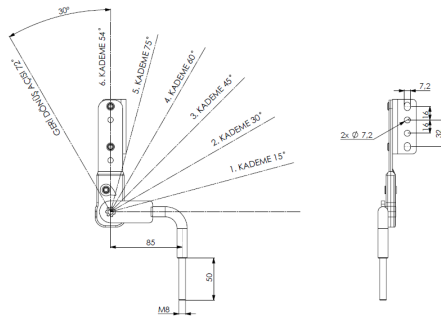




Headrest Mechanism

Reference Code: MS004

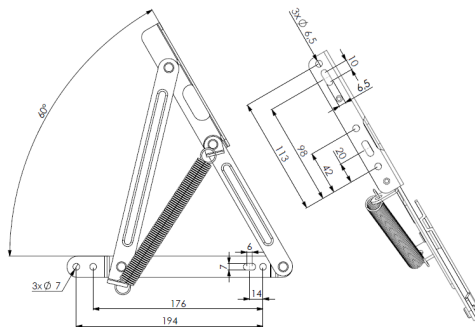
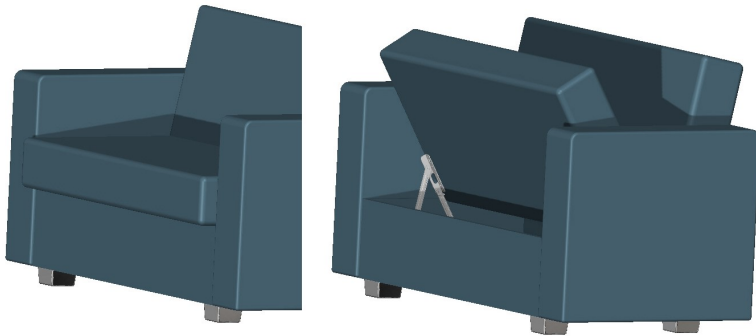
Used with wooden and metal frames, offers level adjustment for headrest with 6 levels, per 15 angle.



Case Mechanism

Reference Code: MS005

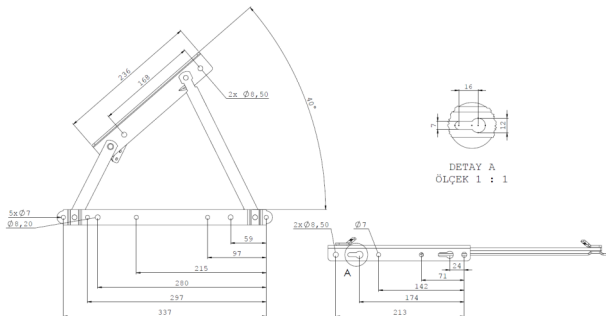
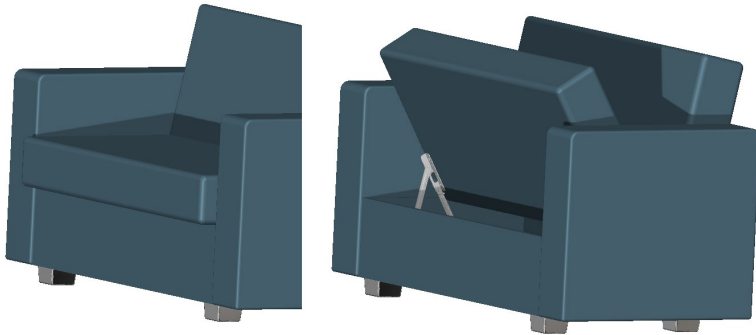
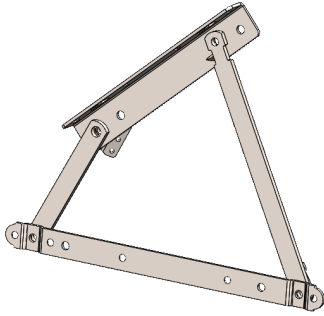
Used with wooden and metal frames, offers space below sitting section of the sofa, ability to open 60 degrees with the help of a mechanical spring. Commonly used with single seat sofas.



Case Mechanism

Reference Code: MS006

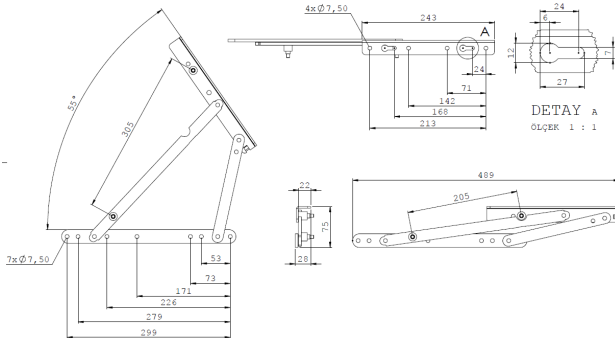
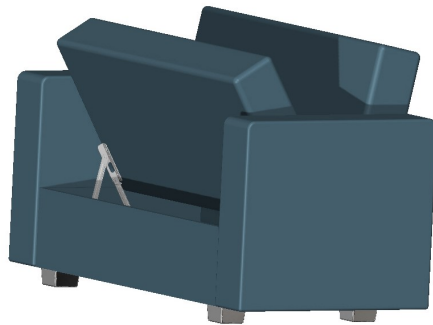
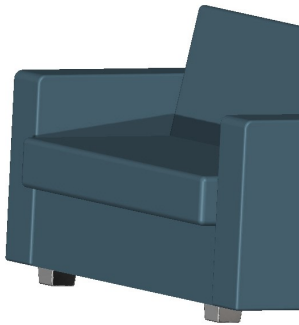
Used with wooden and metal frames, offers space below sitting section of the sofa, ability to open 45 degrees with the help of a mechanical spring. Commonly used with multiple seat sofas.

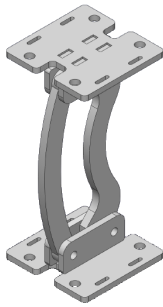


Case Mechanism

Reference Code: MS007

Used with wooden and metal frames, offers space below sitting section of the sofa, ability to open 40 degrees with the help of a gas spring. Commonly used with multiple seat sofas.

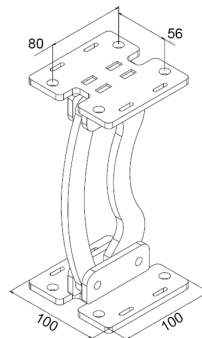
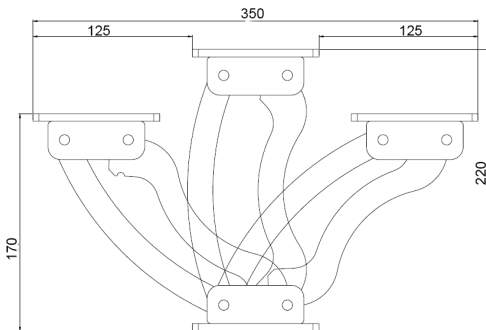




Backrest Mechanism

Reference Code: MS008

Used with wooden and metal frames, offers backrest section of the sofa to move forward/backward with semi circular curve, commonly used with sofas without storage space.

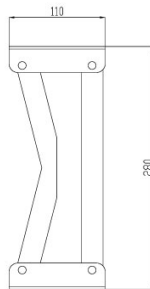
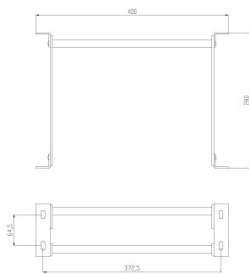




Backrest Mechanism

Reference Code: MS009

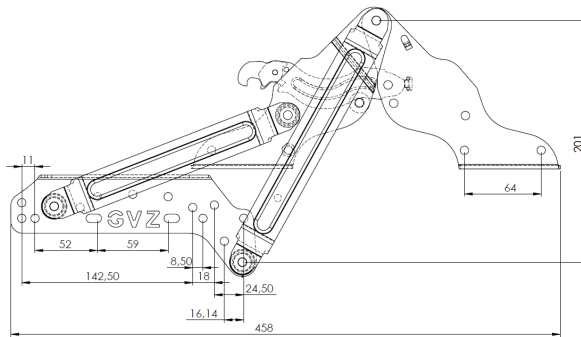
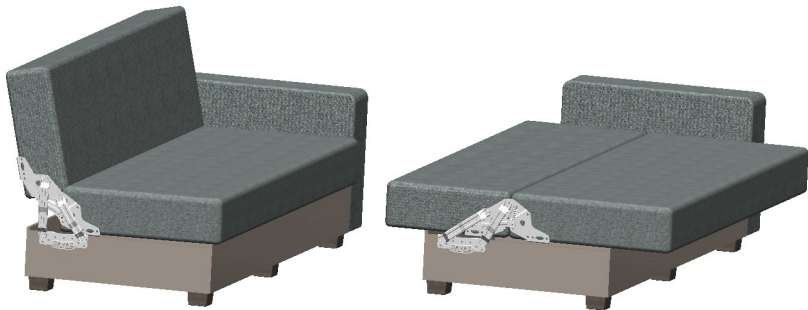
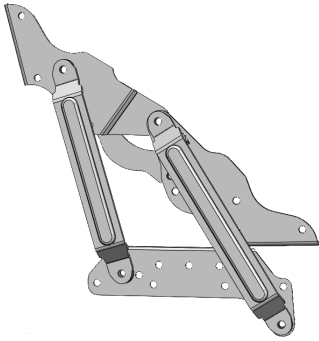
Used with wooden and metal frames, offers backrest section of the sofa to move forward/backward with semi circular curve, commonly used with sofas without storage space, multiple seat sofas.



Sofabed Mechanism

Reference Code: MS010

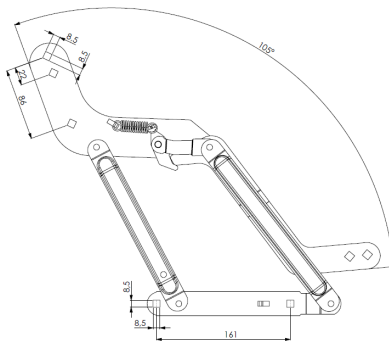
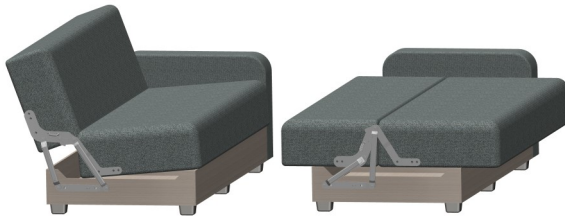
Used with wooden and metal frames, offers sofa to bed transformation, while allowing for spacious storage space.



Sofabed Mechanism

Reference Code: MS011

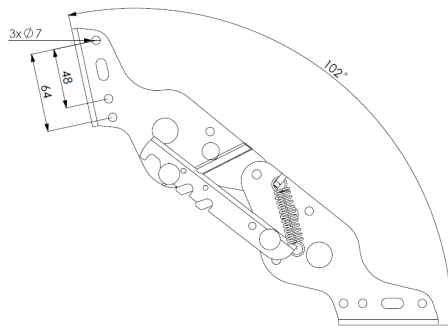
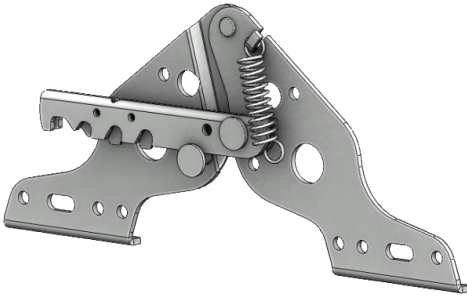
Used with wooden frame, offers sofa to bed transformation, while allowing for spacious storage space.



Backrest Mechanism

Reference Code: MS012

Used with wooden and metal frames, offers backrest section of the sofa to adjust its level and also flattens to create sofabed position.

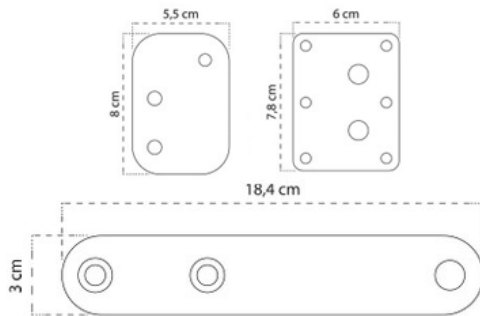




Backrest Mechanism

Reference Code: MS013

Used with wooden frames, offers backrest section of the sofa to roll backwards to open up a sleeping space.





Kirazpınar Mah. 2744. Sk.
Gebze, 41400
Kocaeli
TURKEY

Phone: 850-555-5555
Email: info@motusteknik.com
Web: www.motus.com.tr